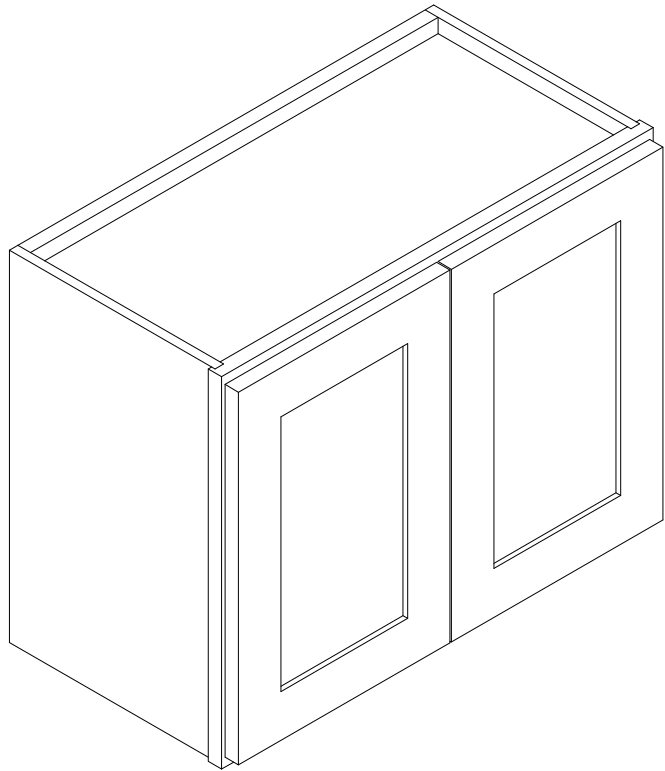


ASSEMBLY INSTRUCTIONS

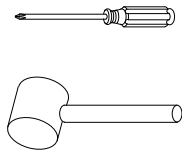
W3618/W3621/W3624/
RW3618/RW3621/RW3624



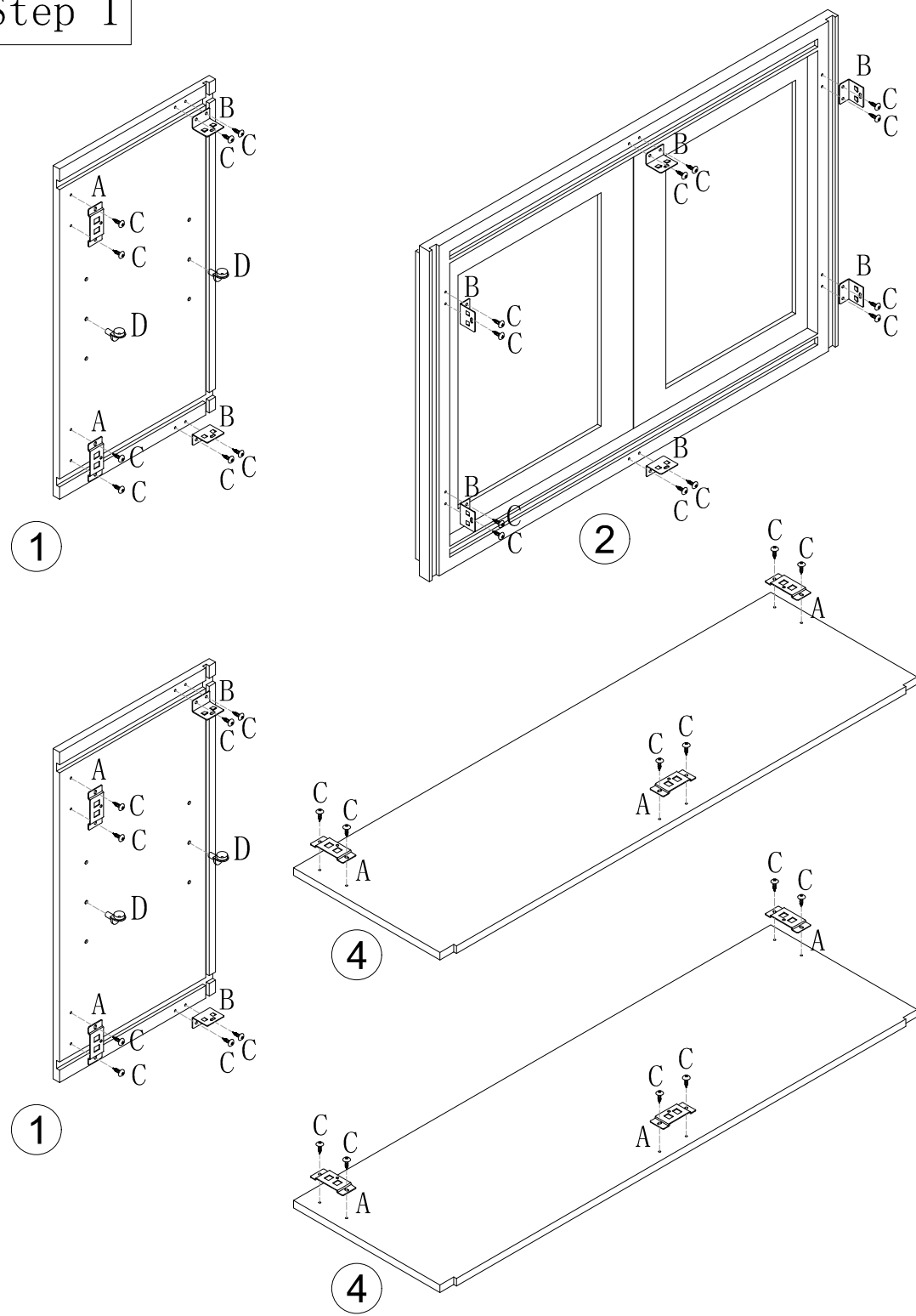
Parts list

NO.	Parts	QTY
A		10
B		10
C	 (M4*0.47")	50
D		4
E	 (T4*0.98")	2

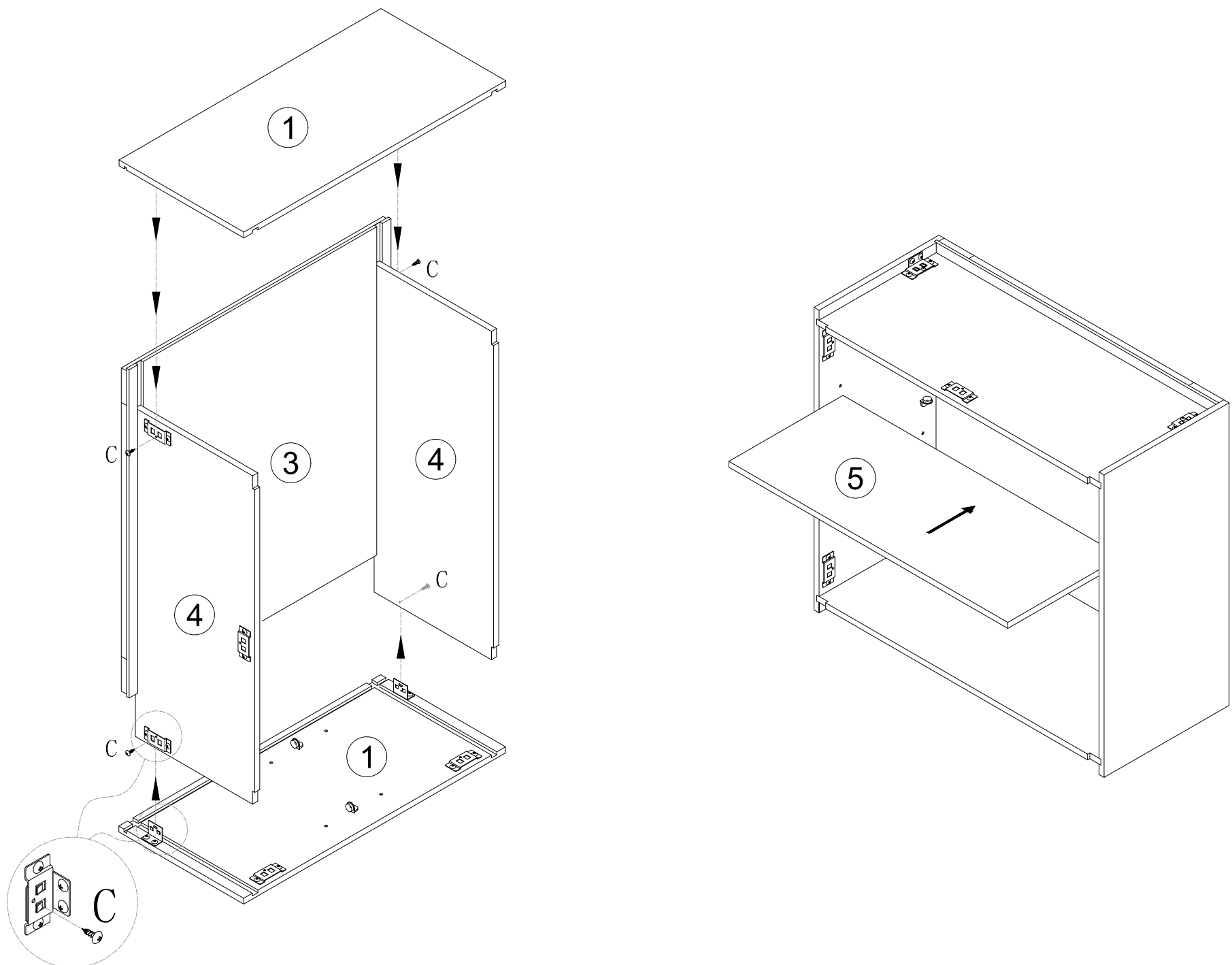
Tools (required but not provided)



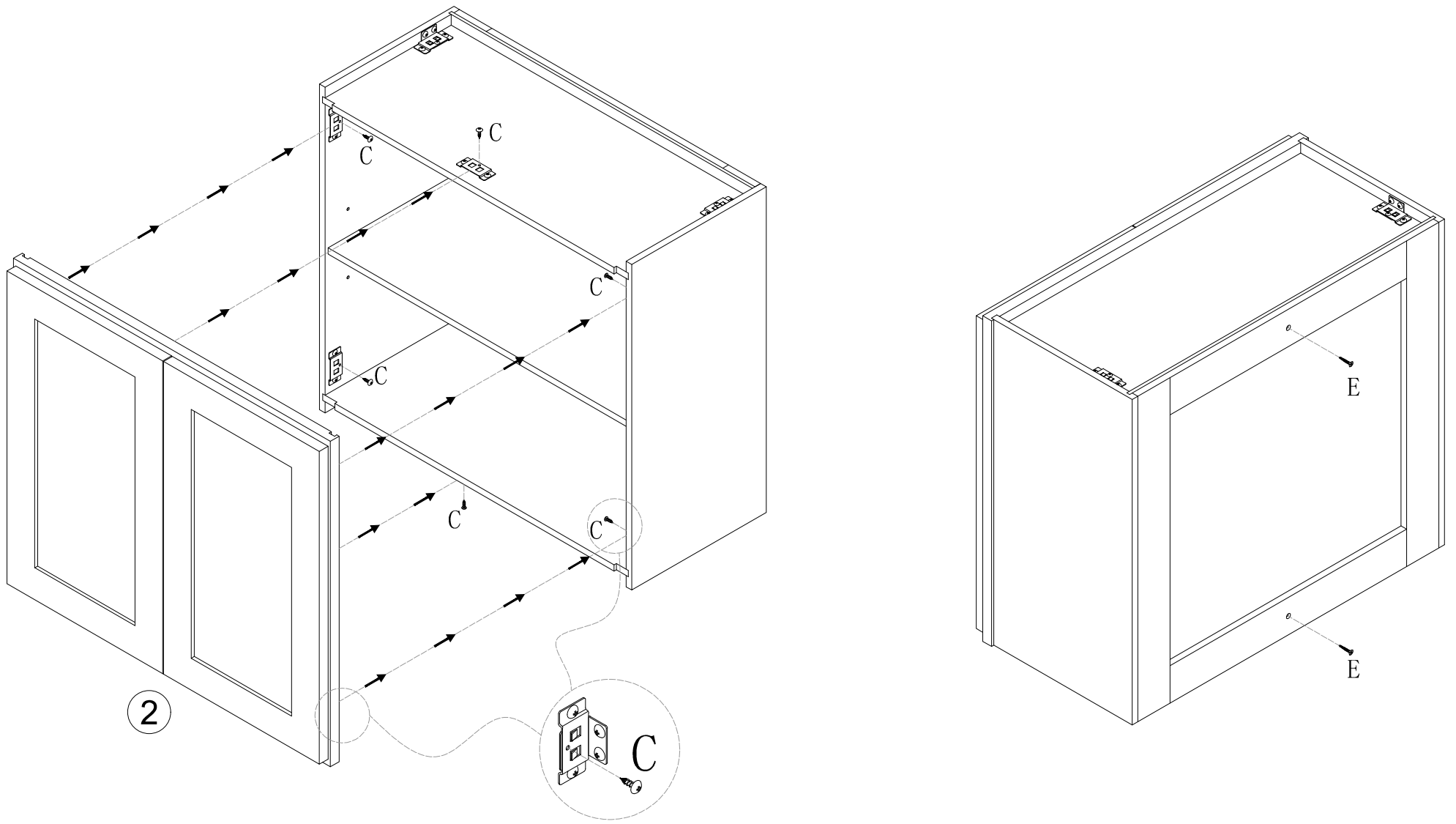
Step 1



Step 2



Step 3



Finished

